

Standard Equipment :

- Sandblasting gun type "Power shot" 100 with sand nozzle in boron carbide \varnothing 8mm and air nozzle in stainless steel \varnothing 3mm
- Floor grating in two parts, capacity approximately 100 kg surface load
- Gun holder
- Drain cup
- Hand holes sealed twice with wear proof special rubber
- Electrical foot pedal with protective hood IP65
- Without blind spot, double glaszing with attrition-proof glass
- Switchbox mounted on the right of the cabin (dustproof)
- Safety switch
- Manometer
- Pressure reducing valve

Options :

- Tumbling basket aggregate type DK 75, basket \varnothing 260mm with various hole
- Double tumbling basket aggregate, baskets available with various hole
- Manual turntable \varnothing 400 mm
- Different dust separators

Technical data

Sablux Technik AG
Bramenstrasse 14
CH-8184 Bachenbülach
Schweiz
Tel. 043 411 44 22
Fax : 043 411 44 23
technik@sablux.ch
http://www.sablux.ch

Exterior dimensions : Width 1'190 mm
 Depth 768 mm
 Height 1'657 mm (closed cabin)
 1'980 mm (opened cabin)

Interior dimensions : Widht 895 mm
 Depth 610 mm
 670 mm (without ascending sifter)
 Height 545 mm

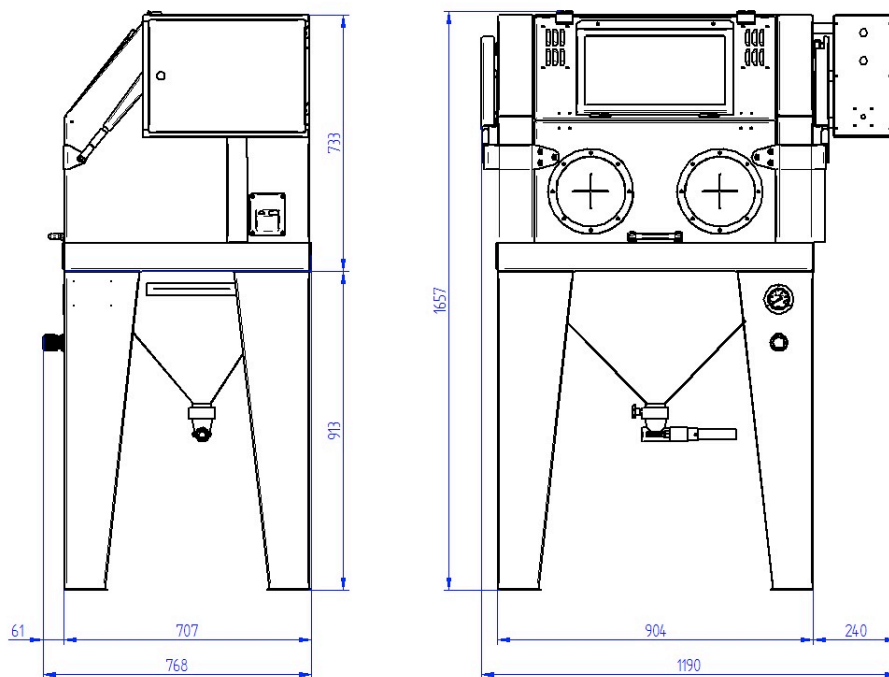
Weight : Approximately 170 kg

Pressure air connection: G $\frac{3}{4}$ with screw coupling. 19mm inside diameter

Air consumption : Approximately 40 m³/h at 4bar

Electrical connection : 230/400V / 50Hz

Dust exhaust : Connecting adapter at the back wall \varnothing 100mm



Sablux SX 90 S